

hw
halcyon
washrooms



Product
Range



Contents

About Us	05
Sectors	
Commercial	08
Sports & Leisure	10
Education	12
Cubicles	
Resolute	14
Resolute Extra	16
Resolute Plus	18
Arbor	20
Arbor Plus	22
Arbor Ultra	24
Mini	26
Midi	28
Access Panel Systems	30
Vanities	32
Lockers	34
Benches	40



About Us

With over 30 years of manufacturing experience, Halcyon Washrooms manufacturers and installs a range of washroom products suitable for even the most demanding of environments. Our quality lockers and benches, cubicle systems, vanity units and IPS panelling systems are designed with high performance and longevity of service in mind.

We pride ourselves on delivering exceptional customer service, driven by our passion and expertise in supplying quality commercial washroom products. These, together with our bespoke fabrication service, allow us to deliver innovative solutions, uncompromising quality and unrivalled service.

Working closely with our customers on a range of washroom projects, our competitive pricing and extensive industry knowledge combine to ensure our lockers and benching, cubicles and complementary products are suited to a variety of applications, and are a match for the exacting standards of these customers.

We offer a full range of services and project support, from design consultancy, site surveying and CAD drawings through to manufacture.

The Halcyon range is suitable across Commercial, Sports & Leisure and Education environments due to its high performing qualities. Our bespoke fabrication facility also caters for those one off designs. We are continuously investing in new technology and are confident we can deliver your washroom products on budget and on time.

Engineered to Perform

INVISIBLE FIXINGS

All sports & leisure washrooms, cubicle systems, changing room benches and toilet partitions adopt securely engineered dowelled fixings for superior tamper proof performance which avoids the need for ugly visible through panel fixings.



OUTSTANDING STRENGTH

Halycon's cubicle system design, which utilises either a floor fitted pilaster foot or a continuous leg, ensures exceptional strength compared with alternative systems which typically use pedestal legs and patch fittings.



CONTINUOUS WALL CHANNEL

Our cubicle systems are typically fixed to the wall in a continuous aluminium channel which gives stability not seen in alternative cubicle systems which use single point cleat fixings.



QUALITY FITTINGS

Our fittings are tried and tested over many years to ensure long service life and to enhance user experience.





Commercial

Halcyon's range of washroom systems for commercial and office settings offer the style and aesthetic desirable in any modern building without the premium price tag. With a range of materials, colours and finishes available, the design possibilities are vast, meaning unique solutions are available for each setting.

RESOLUTE PLUS

Resolute Plus is suitable for commercial office changing, shower and WC configurations where maximum privacy is required.



RESOLUTE EXTRA

With attractive pilaster feet, Resolute Extra brings a sophisticated feel to a commercial environment.



RESOLUTE

Robust yet attractive commercial cubicle system.



ARBOR ULTRA

With full height doors and a flush fronted finish, Arbor Ultra provides the ultimate in sophistication for commercial environments.



ARBOR PLUS

Available in heights of up to 2.4m, Arbor Plus provides enhanced privacy in a cost effective yet stylish fashion.



ARBOR

With its flush front, rebated edges and set back pilaster feet, Arbor achieves a premium look finish without the hefty price tag.





Sports & Leisure

In any sporting or leisure environment only the most robust cubicle systems will suffice. With the hot, damp conditions of shower areas and pool and spa changing rooms, water resistant materials are key. Combine this with the wear and tear that comes with sports teams and boisterous children and it is clear that maximum stability is required. Halycon's Sports & Leisure cubicles are designed with exactly these factors in mind, with maximum stability and water resistance as standard across the range.

RESOLUTE

Suitable for island and linear configurations, Resolute is packed with performance led features which make it ideal for sporting environments.



RESOLUTE EXTRA

With attractive pilaster feet and additional height, Resolute Extra is suitable for changing, shower and WC cubicles where additional privacy is required.



RESOLUTE PLUS

The addition of an overhead panel achieves a full height configuration, making Resolute Plus the ideal choice for sporting environments where maximum privacy is sought.





Education

10 Year
Warranty

The Halcyon Education range is specifically designed for educational settings, with all the robustness of materials and hardware required to withstand the horseplay and even vandalism often associated with school settings. These cubicle systems are subject to rigorous testing and are guaranteed for up to 10 years in education settings, making them the smart choice for schools.

MINI

Suitable for nursery and early primary settings, Mini is a fun, bright washroom system for younger children.



MIDI

Available in 4 door height levels, Midi provides the perfect solution for primary settings, with options for each age range.



RESOLUTE PLUS

With minimal floor clearance and an overhead door panel, Resolute Plus achieves an enhanced level of privacy, making it ideal for gender neutral settings.



RESOLUTE EXTRA

With the addition of a headrail and pilaster feet, Resolute Extra achieves a sophisticated aesthetic for any educational setting.



RESOLUTE

Suitable for second and third level education settings, the Resolute range is engineered specifically with education settings in mind.





Resolute

Resolute is a robust and practical cubicle solution for Education, Sports & Leisure and Commercial applications.

Combining the hard wearing and water resistant qualities of CGL with a range of stylish colours, this system is suitable for a range of projects, from modern office toilets to school changing rooms and sports showering facilities.

Resolute

Dimensions:

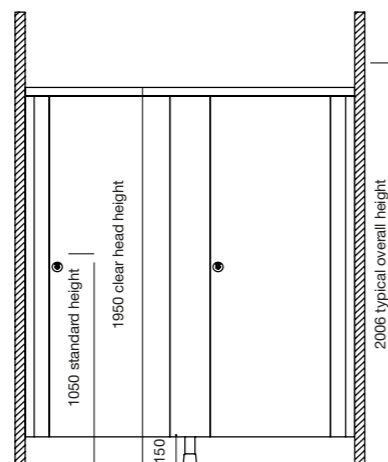
Maximum door height: 2006mm
 Floor clearance: 150mm
 (at door and division level)

Material option:

12mm CGL

Doc M Compliance Options:

Enlarged and ambulant
 Emergency release indicator
 Inline inward & outward openings



Resolute Extra

Resolute Extra is a semi-framed cubicle system designed for use in multiple applications, including wet environments such as shower areas.

With its floor fitting pilaster foot and the addition of a headrail, it provides a sophisticated approach to design whilst achieving maximum stability for areas of high footfall.

Resolute Extra

Dimensions:

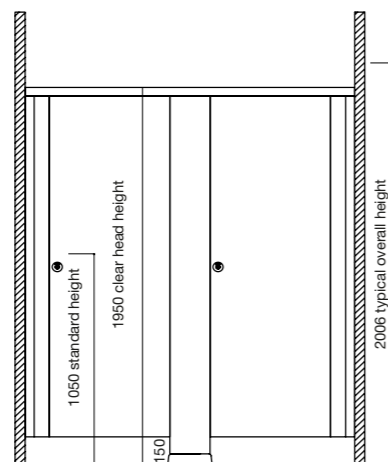
Maximum door height: 2006mm
 Floor clearance: 150mm
 (at door and division level)

Material option:

12mm CGL

Doc M Compliance Options:

Enlarged and ambulant
 Emergency release indicator
 Inline inward & outward openings





Resolute Plus

With the addition of a stylish over-door panel, Resolute Plus achieves ideal privacy levels whilst providing all the stability and hard wearing properties of the Resolute system.

The semi-framed system with its stylish floor fitting pilaster foot and a host of tamper proof fixings is the ideal system for any school, sports or commercial environment requiring maximum privacy, especially in gender neutral settings.

Resolute Plus

Dimensions:

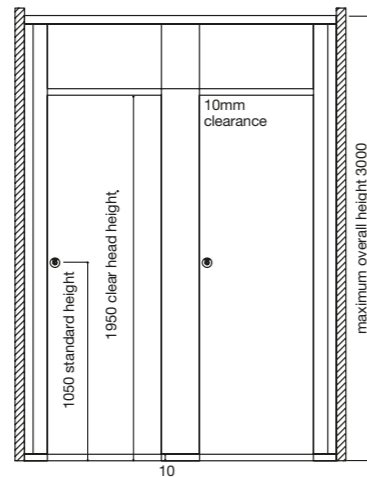
Maximum door height: 3000mm
Floor clearance: 10mm (door level)

Material option:

12mm CGL

Doc M Compliance Options:

Enlarged and ambulant
Emergency release indicator
Inline inward & outward openings





Arbor

The Arbor range is a flush fronted cubicle system with a clean and minimalist approach to design. Available in a wide range of panel options including real wood veneers, CGL and HPL, this system is an attractive option for mid range commercial settings, offering a vast array of design possibilities.

Despite the modest pricing, the Arbor range hosts an array of features which are generally associated with more premium products, including rebated doors for extra privacy, hardwood lips and pilaster feet which are set back in order to create a streamlined appearance. Stability is guaranteed with the addition of full length wall channels and a robust headrail detail which ensure the hard wearing capabilities required for busy office environments.

Arbor

Dimensions:

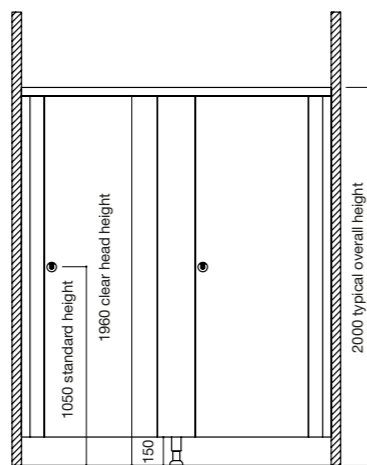
Maximum door height: 2000mm
(head clearance 1960mm)
Floor clearance: 150mm
(at door and division level)

Material option:

30mm HPL - suitable for dry environments
30mm veneer - suitable for dry environments
20mm CGL - suitable for wet environments

Doc M Compliance Options:

Enlarged and ambulant
Emergency release indicator
Inline inward & outward openings





Arbor Plus

With heights of up to 2.4m available, Arbor Plus provides an enhanced privacy option and can achieve the appearance of a full height cubicle system in certain settings.

Despite its modest pricing, Arbor Plus hosts many features generally associated with more premium products, including rebated doors for extra privacy, hardwood lips and set back pilaster feet which create a streamlined appearance. Stability is guaranteed with the addition of full length wall channels and a robust headrail detail which ensure the hard wearing capabilities required for busy office environments.

Arbor Plus

Dimensions:

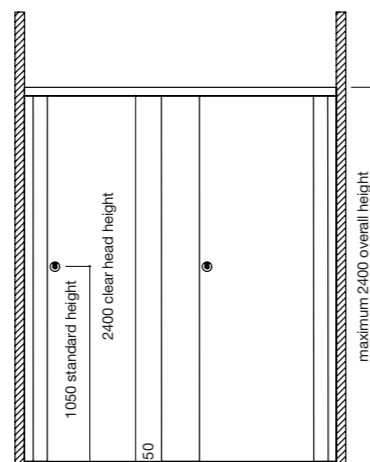
Maximum door height: 2440mm
(head clearance 2400mm)
Floor clearance: 50mm
(at door and division level)

Material option:

30mm HPL - suitable for dry environments
30mm veneer - suitable for dry environments
20mm CGL - suitable for wet environments

Doc M Compliance Options:

Enlarged and ambulant
Emergency release indicator
Inline inward & outward openings





Arbor Ultra

A flush, stylish, floor to ceiling system, Arbor Ultra is the ultimate in sophistication for any commercial environment where maximum privacy is sought.

Bursting with premium features including rebated doors for extra privacy, hardwood lips and set back pilaster feet, this system creates a stunning impression for users. Available in a range of panel options including real wood veneers and premium laminates, the design capabilities are endless.

Arbor Ultra

Dimensions:

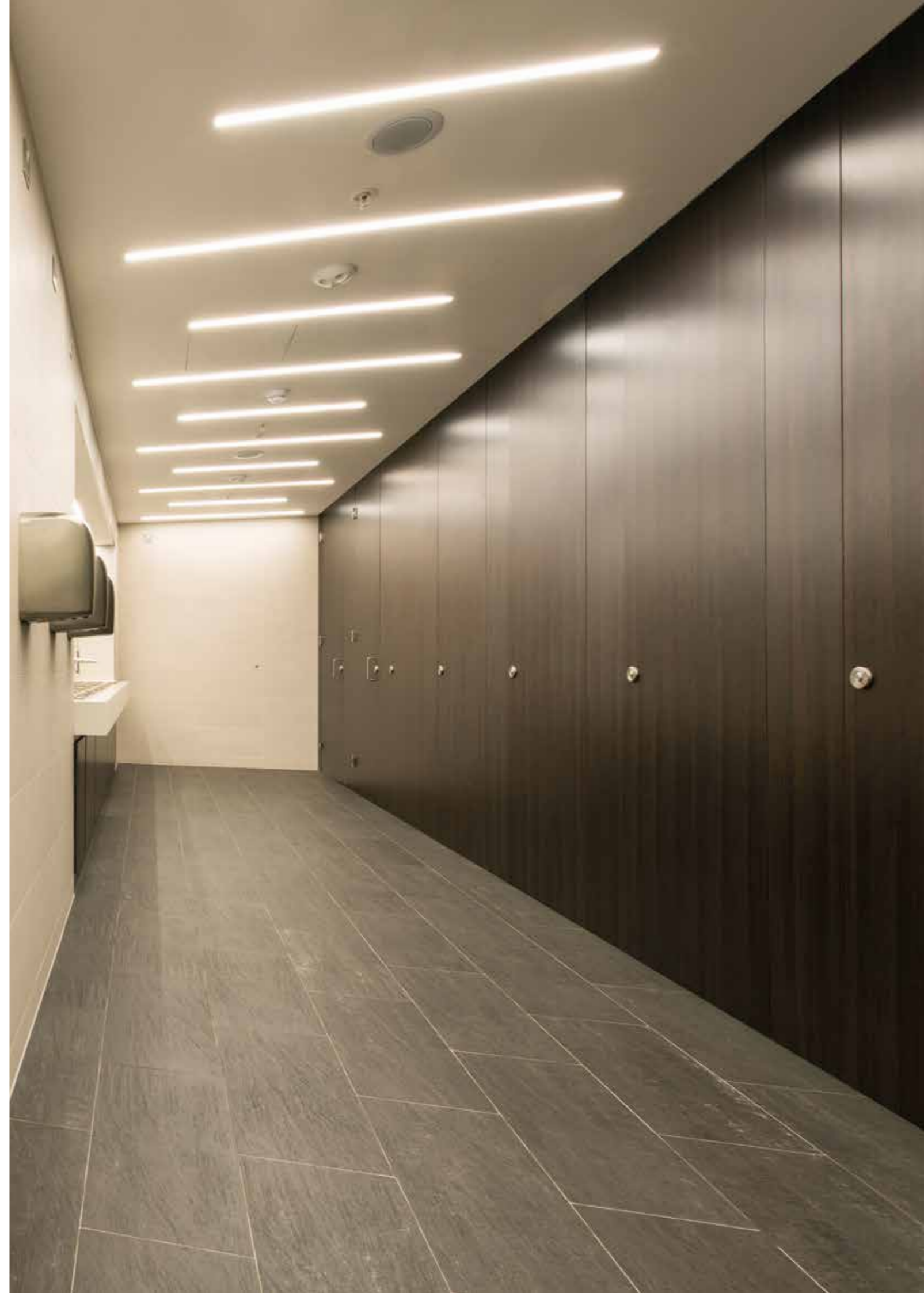
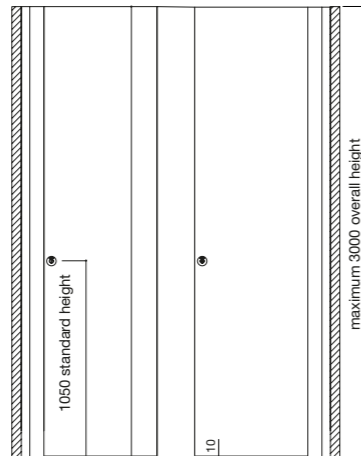
Maximum door height: 3000mm
Floor clearance: 10mm (at door level)

Material option:

30mm HPL - suitable for dry environments
30mm veneer - suitable for dry environments
20mm CGL - suitable for wet environments

Doc M Compliance Options:

Enlarged and ambulant
Emergency release indicator
Inline inward & outward openings





Mini

Mini is a fun, bright washroom cubicle range suitable for nursery and primary school settings. The sensitive design with its soft rounded corners and radiused edges features low level panels ideal for both child privacy and supervision by teachers or carers where required.

Stability is guaranteed by secure floor fixing and continuous wall channels, making Mini a practical solution for the wear and tear associated with a school environment.

Mini

Dimensions:

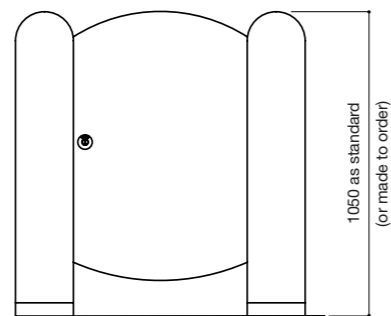
Maximum door height:
Variable - 1050mm standard
Floor clearance: 150mm
(at door and division level)

Material option:

Radiused edge 12mm CGL

Doc M Compliance Options:

Enlarged and ambulant
Emergency release indicator
Inline inward & outward openings





Midi

With 4 height configurations available, the Midi system is the ideal solution for the height transitions common in a primary school setting.

Bright in colour and practical in use, it is strong enough to withstand boisterous students whilst attractive enough to feel welcoming for a younger user.

Midi

Dimensions:

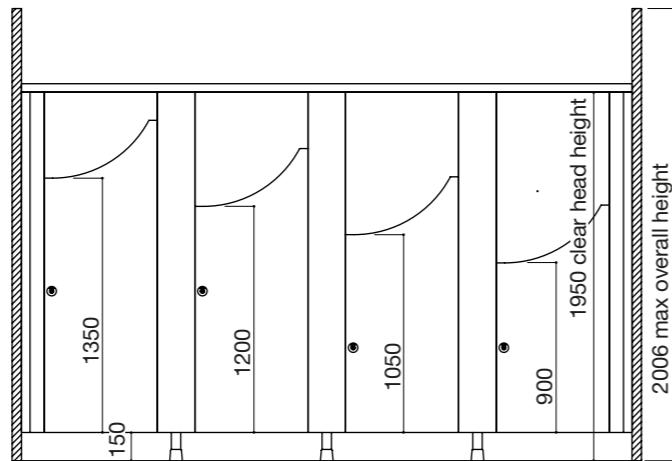
Maximum door height: Optional heights available up to 1950mm
 Floor clearance: 150mm (at door and division level)

Material option:

Radiused edge 12mm CGL

Doc M Compliance Options:

Enlarged and ambulant
 Emergency release indicator
 Inline inward & outward openings



Access Panel Systems



Halcyon's access panel systems are designed to suit a range of wall and ceiling configurations. Available in a variety of material options, they are designed to enhance any design whilst providing a practical solution for the demands of a washroom environment.

Vanities



With a huge variety of material choices and design options, Halcyon's vanity units cater for every style and budget. From surface mounted HPL units to premium solid surface trough configurations, an extensive range is available.

Lockers

Halcyon Locker Range

Endurance

- Galvanized steel doors, shelving & carcass
- Suitable for dry & moist areas
- 100% recyclable
- Inset doors
- No plinth required

Anti-bac

- Anti-bacterial solid grade laminate doors, shelving & carcass
- Anodised aluminium upright, for continuity of design
- Solid grade laminate carcass, for increased strength
- Suitable for dry, moist & wet areas

Halo

- Solid grade laminate doors and shelving
- Anodised aluminium carcass & upright
- Suitable for dry, moist & wet areas
- Anti-bacterial solid grade laminate doors and shelving

Elegance

- Glass door, solid grade laminate shelving, aluminium carcass and upright
- 4mm toughened safety flow low iron glass
- Twin coated ceramic paint available in 16 colours
- Suitable for dry, moist & wet areas
- No through fixings, for that premium finish



Lockers

- 1 Solid grade laminate doors
- 2 Laser cut aluminium carcass
- 3 Stainless steel dual spring hinge - 100 degree opening
- 4 Dual hook feature. Lifetime guarantee on all Halycon hooks
- 5 Variety of material options and configurations available

1.



2.



3.

4.



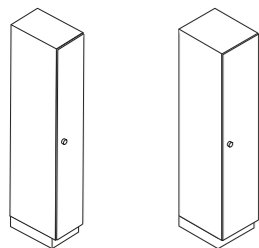
5.



Lockers

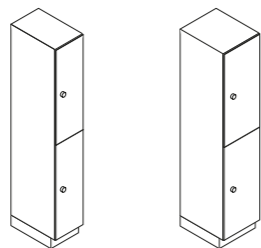
Configuration Options

1 Tier



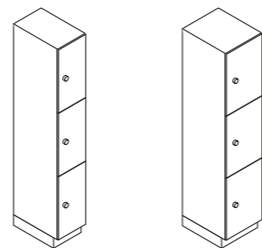
Width **300mm, 400mm**
 Height **1795mm**
 Depth **487mm**

2 Tier



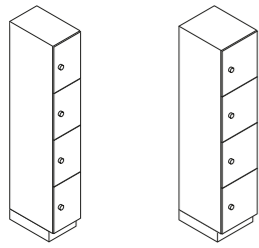
Width **300mm, 400mm**
 Height **1797mm**
 Depth **487mm**

3 Tier



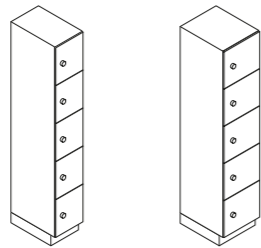
Width **300mm, 400mm**
 Height **1797mm**
 Depth **487mm**

4 Tier



Width **300mm, 400mm**
 Height **1797mm**
 Depth **487mm**

5 Tier



Width **300mm, 400mm**
 Height **1795mm**
 Depth **487mm**

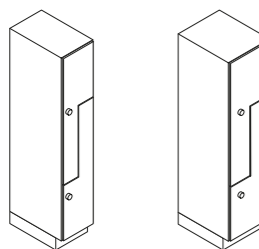
Metal Lockers



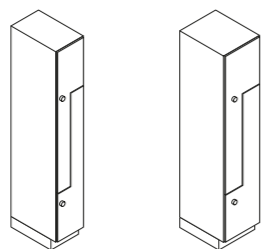
Steel range available.

Width **300mm, 400mm**
 Height **1800mm**
 Depth **300mm**

Z Lockers



Width **300mm, 400mm**
 Height **1550mm, 1504mm**
 Depth **487mm**



Width **300mm, 400mm**
 Height **1797mm, 1804mm**
 Depth **487mm**

Please note Z Lockers are not available in Endurance (steel).

Locking Options



Assa Cam lock



Assa Coin Return Lock



Assa Hasp & Clasp



Assa ML51



Ojmar OCS Range



Ojmar Combi 8001



Ojmar OTS Range

Sample of available lock options.



Benches

Halo

A range of solid grade laminate bench configurations designed with performance in mind.

- 1 Locker bench frame configuration
- 2 Concealed wall fixings and lifetime hook guarantee
- 3 Back to wall configuration - wall and floor mounted
- 4 Free standing floor mounted bench option
- 5 Double floor mounted island bench unit with integrated coat hooks

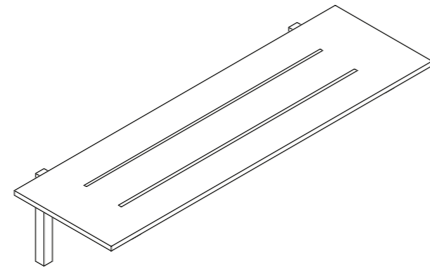
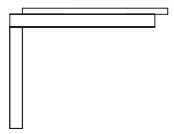


Benches

All benches are manufactured in Solid Grade Laminate and are available in the full Greenlam colour range.

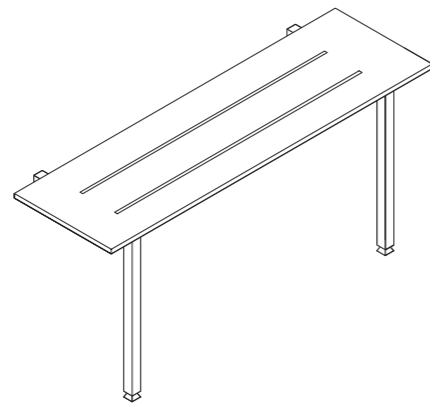
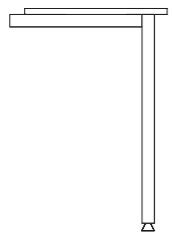
Configuration Options

Cantilevered (wall mounted)



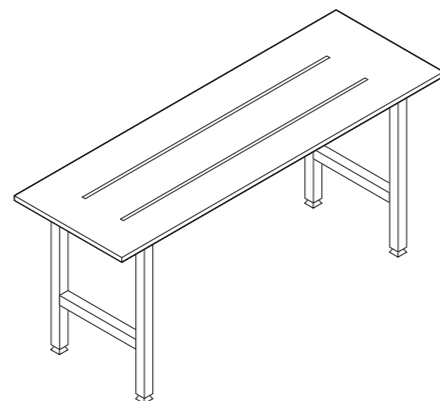
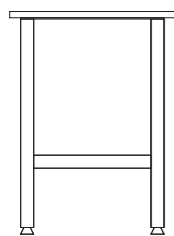
Seat Height	450mm
Depth	300mm, 400mm

Back to wall (wall and floor mounted)



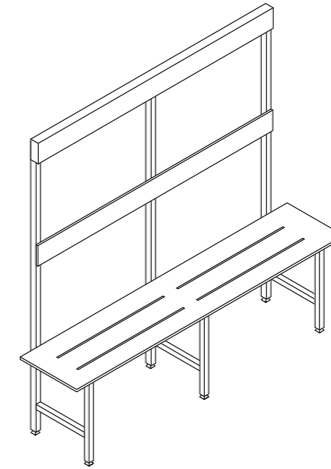
Height	450mm
Depth	300mm, 400mm

Free standing (floor mounted)



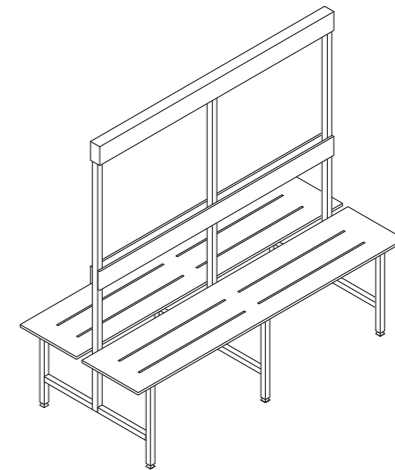
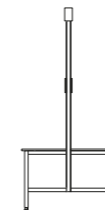
Height	450mm
Depth	300mm, 400mm

Single island (floor mounted)



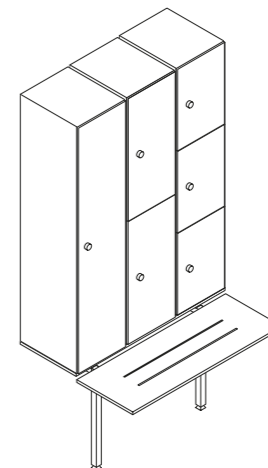
Seat Height	450mm
Overall Height	1700mm
Depth	300mm, 400mm

Double island (floor mounted)



Seat Height	450mm
Overall Height	1700mm
Depth	600mm, 800mm

Locker bench frame (wall and floor mounted)



Seat Height	400mm
Seat Depth	300mm, 400mm

Halcyon Washrooms Limited

Unit 1B Fairway

Cannock

WS11 0BY

Tel: 01543 212224

Email: sales@halcyonwashrooms.co.uk

www.halcyonwashrooms.co.uk

